



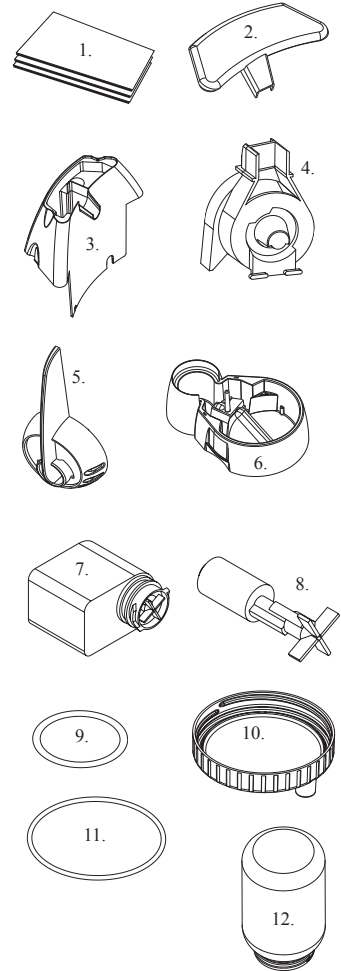
DRINKWELL® BIG-DOG

1. Replacement Filters 3-Pack	\$ 7.99	Qty _____	\$ _____
2. Housing Cover	\$ 6.00	Qty _____	\$ _____
3. Filter Housing	\$15.00	Qty _____	\$ _____
4. Stator	\$ 6.00	Qty _____	\$ _____
5. Flow Control Knob	\$ 6.00	Qty _____	\$ _____
6. Bowl	\$22.00	Qty _____	\$ _____
7. Motor (with impeller and O-ring)	\$18.50	Qty _____	\$ _____
8. Impeller *(specify Askoll or Resun)	\$ 5.00	Qty _____	\$ _____
9. Motor O-ring	\$ 2.00	Qty _____	\$ _____
10. Lid with Spout	\$ 6.00	Qty _____	\$ _____
11. Reservoir O-ring	\$ 3.00	Qty _____	\$ _____
12. 128 oz. Container	\$ 13.00	Qty _____	\$ _____

SUBTOTAL _____

SHIPPING (Please see chart below) _____

TOTAL \$ _____



Please Print

NAME _____

ADDRESS _____

PHONE NUMBER _____

SHIPPING AND HANDLING	FedEx GROUND	FedEx EXPRESS
\$ 0.00 - \$30.00	\$ 6.99	quote
\$30.01 - \$70.00	\$ 9.99	quote
\$70.01 - \$110.00	\$11.99	quote
\$110.01 & Up	\$13.99	quote

*To specify the motor please look at the outside of the motor casing, a Resun motor will have a white label that says "Resun", an Askoll motor will have black lettering that says "Askoll - Made in Italy".

To place an order, please call **866-322-2530** (toll free) or mail this form with payment to:

P.O. Box 19717 - Reno, NV 89511

Make checks payable to: Veterinary Ventures, Inc.